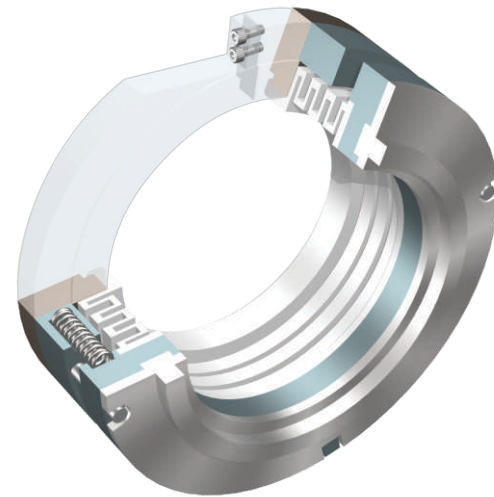


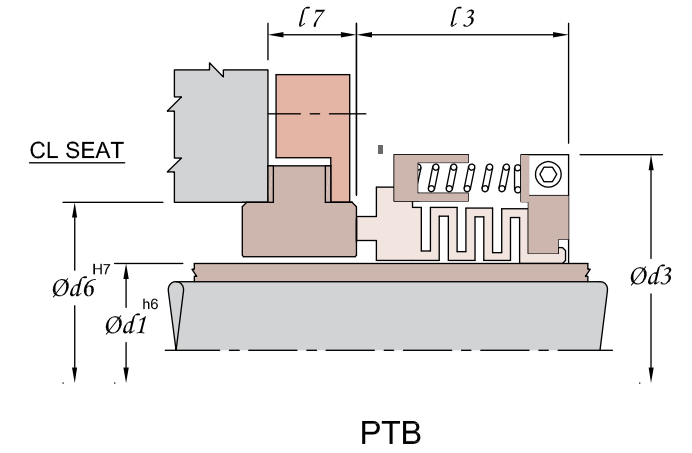
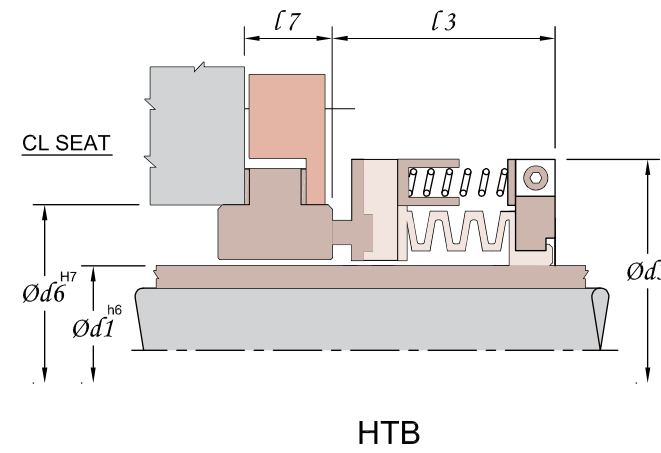
# HTB/PTB PTFE BELLOW SEAL

- OUTSIDE MOUNTED
- NO DYNAMIC ELASTOMERS
- HYDRAULICALLY BALANCED
- REPLACEABLE SEAL FACE- HTB
- INTEGRAL SEAL FACE - PTB



## APPLICATIONS :

- CORROSIVE LIQUIDS
- CLEAR ACIDS
- CORROSIVE SALT SOLUTIONS



## INCH SIZES

SIZE CODE	d1	d3	d6	l3	l7
0254	25.40	57.2	42.9	32.5	11.4
0285	28.57	60.3	44.5	32.5	15.0
0317	31.75	63.5	51.0	32.5	20.6
0349	34.92	66.7	51.0	32.5	20.6
0381	38.10	71.4	57.1	32.5	20.6
0412	41.27	76.2	62.0	32.5	20.6
0444	44.45	79.4	63.5	32.5	20.6
0476	47.62	82.6	69.9	32.5	20.6
0508	50.80	96.9	73.0	44.45	20.6

## INCH SIZES

SIZE CODE	d1	d3	d6	l3	l7
0254	25.40	57.2	42.9	32.5	14.4
0285	28.57	60.3	44.5	32.5	15.0
0317	31.75	63.5	51.0	32.5	20.6
0349	34.92	66.7	51.0	32.5	20.6
0381	38.10	71.4	57.1	32.5	20.6
0412	41.27	76.2	62.0	35.1	20.6
0444	44.45	79.4	63.5	35.1	20.6
0476	47.62	82.6	69.9	35.1	20.6
0508	50.80	96.9	73.0	46.3	20.6

DIMENSIONS FOR HIGHER SIZES AVAILABLE ON REQUEST

ALL DIMENSIONS IN MM

## LIMITING PARAMETERS

PRESSURE		TEMPERATURE	SPEED
HTB UPTO 6 BAR	PTB UPTO 8 BAR	- 45°C TO 120°C	14 m/sec

## MATERIALS

BELLOWS	METAL PARTS / SPRINGS	FACE COMBINATIONS		ELASTOMERS
		ROTARY	STATIONARY	
PTFE + GFT COMPOSITE	SS316 HAST-C ALLOY-20	HTB	PTB	PTFE, GFT
		GFT	GFT	
		CARBON		
		SiC		

