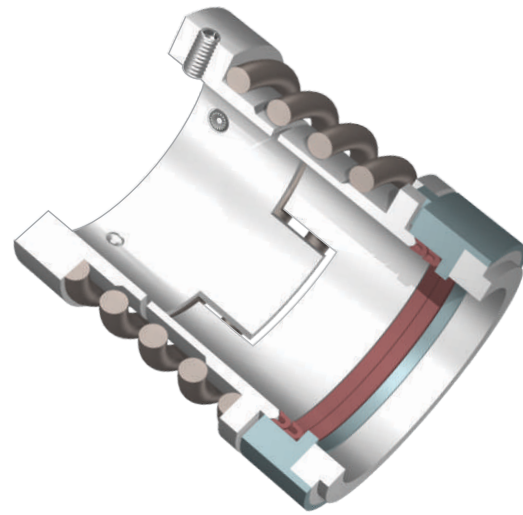


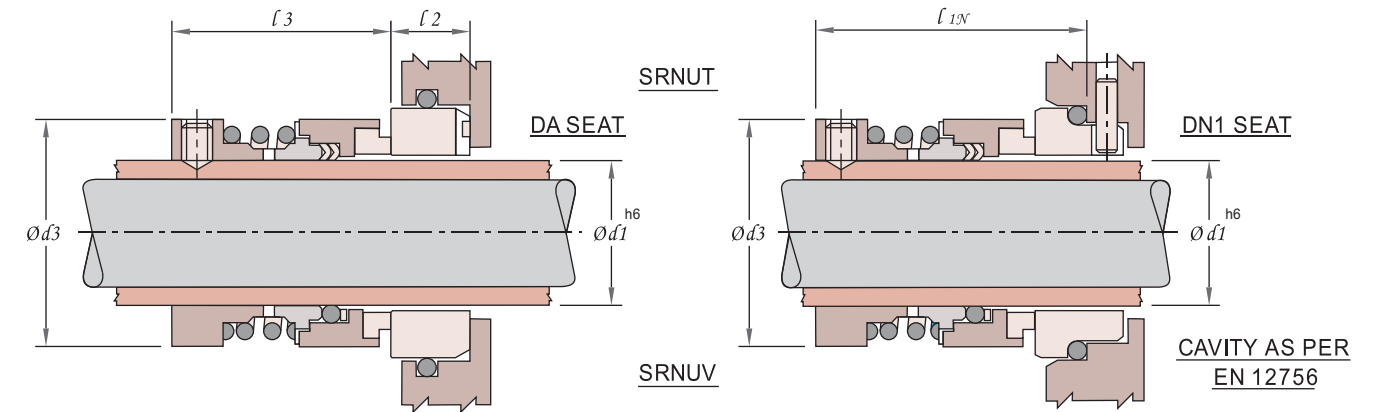
SRN SINGLE SPRING SEAL

- STURDY & RUGGED DESIGN
- RELIABLE PERFORMANCE
- BI-DIRECTIONAL POSITIVE DRIVE
- FITS ON ANSI, ISO & DIN PUMPS
- METRIC SIZES CONFIRM TO EN12756
- EASY TO INSTALL
- AVAILABLE IN CARTRIDGE DESIGN



APPLICATIONS :

- VISCOUS & ARDUOUS DUTIES
- CRYSTALLIZING & SOLIDIFYING MEDIA
- ABRASIVE SLURRIES UPTO MODERATE CONCENTRATIONS
- HEAT TRANSFER LIQUIDS UPTO MODERATE TEMPERATURES



INCH SIZES

SIZE CODE	d1	d3	l2	l3
0222	22.22	36.60	11.1	36.00
0254	25.40	39.70	12.7	39.50
0285	28.57	42.90	12.7	39.50
0317	31.75	46.20	12.7	39.50
0349	34.92	49.20	12.7	44.50
0381	38.10	52.40	12.7	44.00
0412	41.27	55.70	12.7	44.00
0444	44.45	60.00	12.7	49.00
0476	47.62	63.20	12.7	49.00
0508	50.80	66.40	12.7	46.00

SIZE CODE	d1	d3	l2	l3
0539	53.97	69.80	14.3	56.00
0571	57.15	73.00	14.3	56.00
0603	60.32	77.00	14.3	56.00
0635	63.50	80.80	14.3	56.00
0666	66.67	86.20	15.9	66.00
0698	69.85	89.40	15.9	65.00
0730	73.02	92.50	15.9	65.00
0762	76.20	95.70	15.9	65.00
0793	79.37	100.1	15.9	74.00
0825	82.55	104.5	15.9	74.00

ALL DIMENSIONS IN MM

METRIC SIZES

SIZE CODE	d1	d3	l1N
0250	25.00	39.70	50.0
0280	28.00	42.90	50.0
0300	30.00	46.20	50.0
0320	32.00	46.20	50.0
0330	33.00	49.20	55.0
0350	35.00	49.20	55.0
0380	38.00	52.40	55.0
0400	40.00	55.70	55.0
0430	43.00	60.00	60.0
0450	45.00	60.00	60.0
0480	48.00	63.20	60.0
0500	50.00	66.40	60.0

SIZE CODE	d1	d3	l1N
0530	53.00	69.80	70.0
0550	55.00	73.00	70.0
0580	58.00	73.00	70.0
0600	60.00	77.00	70.0
0630	63.00	80.80	70.0
0650	65.00	86.20	80.0
0680	68.00	89.40	80.0
0700	70.00	89.40	80.0
0750	75.00	95.70	80.0
0800	80.00	100.1	90.0

DIMENSIONS FOR HIGHER SIZES AVAILABLE ON REQUEST

LIMITING PARAMETERS

PRESSURE	TEMPERATURE	SPEED
UPTO 16 BAR	- 20°C TO 280°C DEPENDING UPON ELASTOMER	26 m/sec < 3000 rpm

MATERIALS

METAL PARTS	FACE COMBINATIONS	ELASTOMERS
SS316	ROTARY CARBON	VITON, EPR PTFE, GFT, STV AFLAS, FFKM
	STATIONARY CERAMIC, SiC, TC	
	SiC	
	TC	

