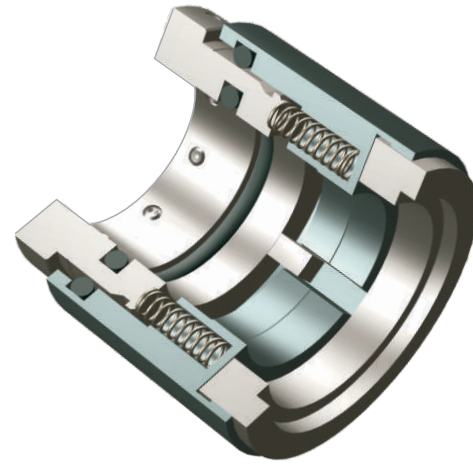


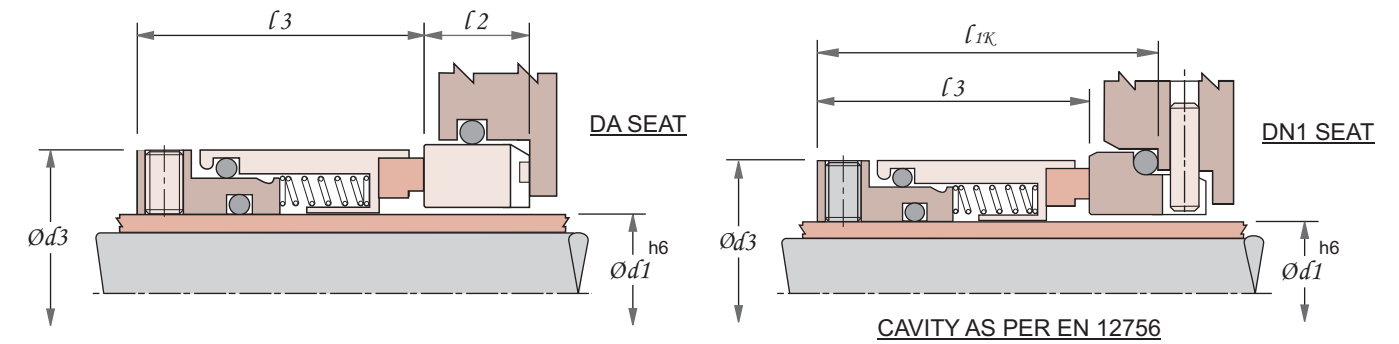
HBN MULTISPRING BALANCED SEAL

- NON CLOGGING
- SPRING PROTECTED
- INHERENTLY BALANCED
- BIDIRECTIONAL DESIGN
- NO SHAFT FRETTING
- FITS ON ANSI, ISO & DIN PUMPS
- SPECIAL DESIGNS FOR STERILE DUTY



APPLICATIONS :

- VISCOUS & ARDUOUS DUTIES
- FOOD & BEVERAGES
- CRYSTALLIZING & SOLIDIFYING MEDIA
- DYE LIQUOR APPLICATIONS
- MODERATE SLURRIES
- IDEALLY SUITED FOR DOUBLE TANDEM ARRANGEMENT
- HOT WATER APPLICATIONS
- CAUSTIC LYE



INCH SIZES

SIZE CODE	d1	d3	l2	l3
0190	19.05	34.0	11.1	28.5
0222	22.22	36.0	11.1	28.5
0254	25.40	39.0	12.7	30.0
0285	28.57	42.4	12.7	32.0
0317	31.75	47.0	12.7	32.0
0349	34.92	49.0	12.7	32.0
0381	38.10	54.0	12.7	34.0
0412	41.27	59.0	12.7	34.0
0444	44.45	61.0	12.7	34.0
0476	47.62	64.0	12.7	34.0
0508	50.80	66.0	12.7	33.5
0539	53.97	71.0	14.3	33.5
0571	57.15	78.0	14.3	38.5

SIZE CODE	d1	d3	l2	l3
0603	60.32	80.0	14.3	38.5
0635	63.50	83.0	14.3	38.5
0666	66.67	85.0	15.9	38.5
0698	69.85	90.0	15.9	45.0
0762	76.20	99.0	15.9	45.0
0793	79.37	104.0	15.9	46.0
0825	82.55	104.0	15.9	46.0
0857	85.72	109.0	15.9	44.0
0889	88.90	114.0	15.9	49.0
0952	95.25	119.0	17.4	49.0
0984	98.42	124.0	17.4	49.0
1016	101.6	124.0	17.4	49.0

ALL DIMENSIONS IN MM

METRIC SIZES

SIZE CODE	d1	d3	l1K	l3
0180	18.00	32.0	37.5	28.5
0200	20.00	34.0	37.5	28.5
0220	22.00	36.0	37.5	28.5
0240	24.00	38.0	40.0	30.0
0250	25.00	39.0	40.0	30.0
0280	28.00	42.0	42.5	32.0
0300	30.00	44.0	42.5	32.0
0320	32.00	47.0	42.5	32.0
0330	33.00	47.0	42.5	32.0
0350	35.00	49.0	42.5	32.0
0380	38.00	54.0	45.0	34.0
0400	40.00	56.0	45.0	34.0
0430	43.00	59.0	45.0	34.0
0450	45.00	61.0	45.0	34.0
0480	48.00	64.0	45.0	34.0

SIZE CODE	d1	d3	l1K	l3
0500	50.00	66.0	47.5	33.5
0530	53.00	69.0	47.5	33.5
0550	55.00	71.0	47.5	33.5
0580	58.00	78.0	52.5	38.5
0600	60.00	80.0	52.5	38.5
0630	63.00	83.0	52.5	38.5
0650	65.00	85.0	52.5	38.5
0680	68.00	88.0	52.5	37.5
0700	70.00	90.0	60.0	45.0
0750	75.00	99.0	60.0	45.0
0800	80.00	104.0	60.0	46.0
0850	85.00	109.0	60.0	44.0
0900	90.00	114.0	65.0	49.0
0950	95.00	119.0	65.0	49.0
1000	100.0	124.0	65.0	49.0

DIMENSIONS FOR HIGHER SIZES AVAILABLE ON REQUEST

LIMITING PARAMETERS

PRESSURE	TEMPERATURE	SPEED
UPTO 25 BAR	- 40°C TO 280°C DEPENDING UPON ELASTOMER	26 m/sec

MATERIALS

METAL PARTS	FACE COMBINATIONS	ELASTOMERS	
SS316, CD4MCU ALLOY-20 HAST-C	ROTARY	VITON, NITRILE, PTFE, STV NEOPRENE, EPR, FFKM AFLAS, SILICON	
	CARBON		STATIONARY
	SiC		CERAMIC, SiC, TC
	TC		SiC, TC

DESIGN VARIATIONS

