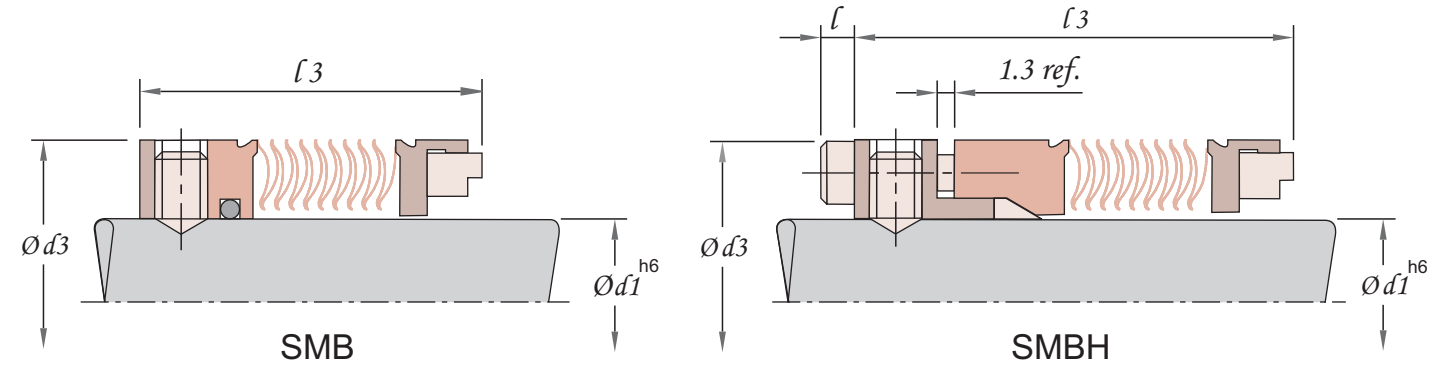
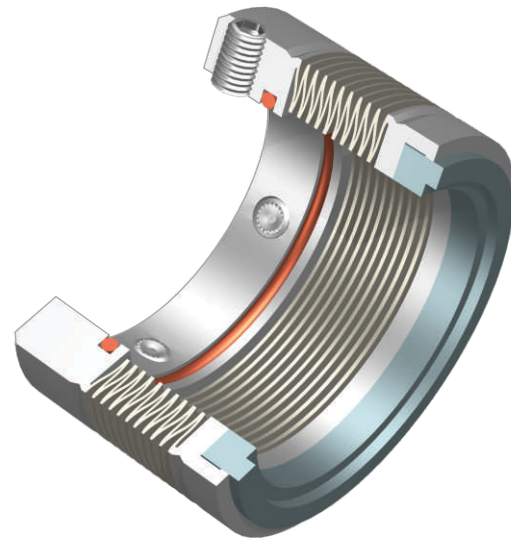


SMB/SMBH METAL BELLOW SEAL

- INHERENTLY BALANCED
- NO SHAFT FRETTING
- FITS ON ANSI, ISO & DIN PUMPS
- AVAILABLE IN AM350, HAST-C & INCONEL
- ALLOY-20 CONSTRUCTION
- CONVERTIBLE TO CARTRIDGE DESIGN



APPLICATIONS :

- THERMIC FLUID
- PETROCHEMICALS
- REFINERY SERVICES
- FATTY ACID

INCH SIZES

SIZE CODE	d1	d3	l3
0254	25.40	37.00	31.75
0285	28.57	42.80	31.75
0317	31.75	46.00	33.30
0349	34.92	49.20	36.50
0381	38.10	52.40	36.50
0412	41.27	55.60	36.50
0444	44.45	58.70	36.50
0476	47.62	61.90	38.10
0508	50.80	65.10	38.10
0539	53.97	68.20	38.10
0571	57.15	71.40	38.10
0603	60.32	74.60	39.70
0635	63.50	81.00	39.70
0666	66.67	84.12	41.30
0730	73.02	87.30	41.30
0762	76.20	92.10	42.80
0793	79.37	95.20	42.80
0825	82.55	98.40	44.50
0857	85.72	101.6	44.50
0889	88.90	104.8	44.50
0920	92.07	108.0	47.60
0952	95.25	114.3	47.60
0984	98.42	117.5	47.60
1016	101.6	120.7	47.60

INCH SIZES

SIZE CODE	d1	d3	l	l3
0254	25.40	39.70	3.2	42.9
0285	28.57	42.80	3.2	39.7
0317	31.75	46.00	3.2	42.0
0349	34.92	49.10	3.2	49.1
0381	38.10	55.10	4.2	44.5
0412	41.27	58.29	4.2	44.5
0444	44.45	61.50	4.2	49.7
0476	47.62	64.60	4.2	44.5
0508	50.80	67.80	4.2	49.7
0539	53.97	71.00	4.2	44.5
0571	57.15	74.20	4.2	47.6
0603	60.32	77.30	4.2	47.6
0635	63.50	81.00	4.2	47.6
0666	66.67	84.12	4.2	47.6
0730	73.02	92.10	4.8	47.6
0762	76.20	95.30	4.8	47.6
0793	79.37	98.40	4.8	47.6
0825	82.55	101.6	4.8	47.6
0857	85.72	104.8	4.8	47.6
0889	88.90	108.0	4.8	47.6
0920	92.07	111.1	4.8	47.6
0952	95.25	114.3	4.8	47.6
0984	98.42	117.5	4.8	47.6
1016	101.6	120.7	4.8	47.6

DIMENSIONS FOR HIGHER SIZES AVAILABLE ON REQUEST

ALL DIMENSIONS IN MM

LIMITING PARAMETERS

PRESSURE	TEMPERATURE		SPEED
UPTO 20 BAR	SMB	SMBH	26 m/sec
	- 70°C TO 200°C	- 70°C TO 350°C	

MATERIALS

END FITTINGS			BELLOWS		FACE COMBINATIONS		ELASTOMERS	
SMB	SMBH		SMB	SMBH	ROTARY	STATIONARY	SMB	SMBH
SS316 HAST-C	SEAL RING SHELL	CARP-42	HAST-C		CARBON	SiC, TC	PTFE, VITON	
	COLLAR	SS316	AM350	AM350	SiC	SiC	FFKM, GFT	FLEXIBLE GRAPHITE
			INCONEL	INCONEL	TC	SiC, TC	EPR, FEP, STV	

DESIGN VARIATIONS

