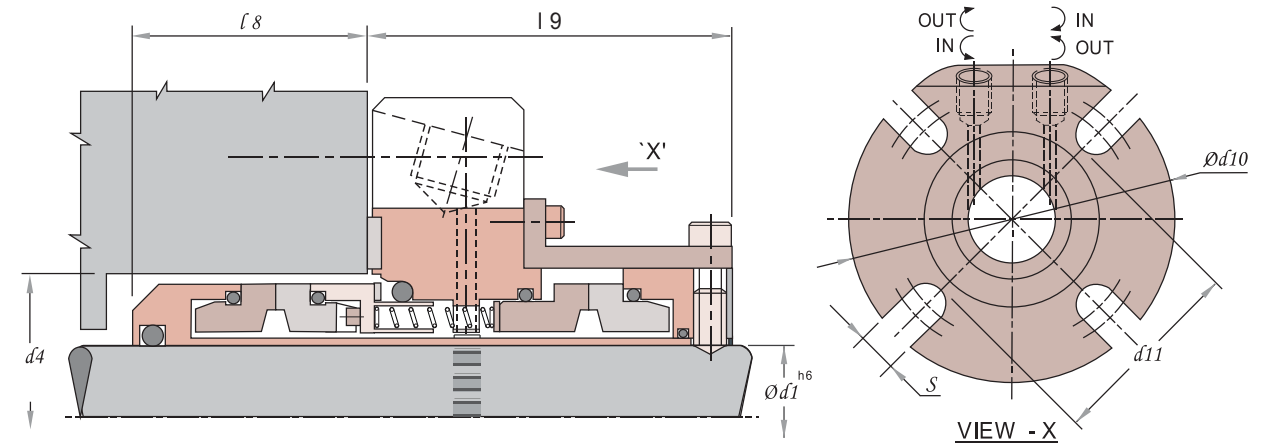
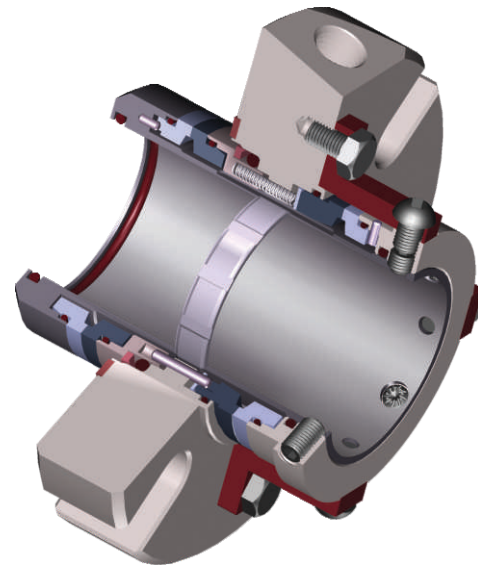


DSBC DUAL UNIVERSAL CARTRIDGE SEAL

- WITH PUMPING RING AS STANDARD FEATURE
- STATIONARY SPRING DESIGN
- COMMON SPRINGS TO REDUCE INSTALLATION ERRORS
- THREE IDENTICAL & INTERCHANGEABLE FACES
- MONOLITHIC SEAL FACES
- FITS ON ANSI, DIN & ISO STANDARD BORE PUMPS
- TANGENTIAL PORTS FOR EFFECTIVE CIRCULATION
- WORKS IN BACK TO BACK AS WELL AS TANDEM MODE
- TOLERATES PRESSURE REVERSAL
- OPTIONS : BIG BORE VERSION



INCH SIZES

SIZE CODE	d1	d4	d10	d11	l8	l9	SLOT WIDTH S
0254	25.40	41.27	101.6	56.5	28.7	52.0	14.0
0285	28.57	44.45	105.0	61.5	28.7	52.0	14.0
0317	31.75	50.80	108.0	63.5	28.7	52.0	14.0
0349	34.92	50.80	108.0	68.5	28.7	52.0	14.0
0381	38.10	57.15	114.3	71.5	28.7	52.0	14.0
0412	41.27	60.32	114.3	75.5	28.7	52.0	14.0
0444	44.45	63.50	127.0	77.8	28.7	52.0	14.0
0476	47.62	66.67	133.4	81.0	28.7	52.0	14.0
0508	50.80	69.85	139.7	84.0	28.7	55.6	14.0
0539	53.97	73.02	146.0	89.0	28.7	55.6	18.0
0571	57.15	76.20	165.1	92.0	28.7	55.6	18.0
0603	60.32	79.37	165.1	97.0	28.7	55.6	18.0

SIZE CODE	d1	d4	d10	d11	l8	l9	SLOT WIDTH S
0635	63.50	85.72	165.1	101.0	37.8	69.1	18.0
0666	66.67	88.90	177.8	103.0	37.8	69.1	18.0
0698	69.85	92.07	177.8	111.0	37.8	69.1	18.0
0762	76.20	101.6	190.0	129.0	37.8	69.1	18.0
0793	79.37	104.7	195.0	132.0	37.8	69.1	18.0
0825	82.55	108.0	195.0	135.0	37.8	69.1	18.0
0857	85.72	111.1	198.0	139.0	37.8	69.1	22.0
0889	88.90	114.3	198.0	142.0	37.8	69.1	22.0
0920	92.07	117.5	205.0	145.0	39.0	69.1	22.0
0952	95.25	120.7	208.0	148.0	39.0	69.1	22.0
0984	98.42	123.8	208.0	151.0	39.0	69.1	22.0
1016	101.6	127.0	218.0	154.0	39.0	69.1	22.0

ALL DIMENSIONS IN MM



APPLICATIONS :

- PULP & PAPER PLANTS
- VACUUM DISTILLATION
- CRYSTALLIZING SOLUTIONS
- HAZARDOUS LIQUIDS
- MULTIPLE EVAPORATOR PLANTS
- DISTILLERY & SPENT WASH

METRIC SIZES

SIZE CODE	d1	d4	d10	d11	l8	l9	SLOT WIDTH S
0250	25.00	41.0	101.6	56.5	28.7	52.0	14.0
0280	28.00	44.0	105.0	61.5	28.7	52.0	14.0
0300	30.00	51.0	108.0	63.5	28.7	52.0	14.0
0320	32.00	51.0	108.0	63.5	28.7	52.0	14.0
0330	33.00	51.0	108.0	68.5	28.7	52.0	14.0
0350	35.00	51.0	108.0	68.5	28.7	52.0	14.0
0380	38.00	57.2	114.3	71.5	28.7	52.0	14.0
0400	40.00	59.0	114.3	72.5	28.7	52.0	14.0
0430	43.00	63.5	127.0	77.8	28.7	52.0	14.0
0450	45.00	63.5	127.0	77.8	28.7	52.0	14.0
0480	48.00	66.7	133.4	81.0	28.7	52.0	14.0
0500	50.00	70.0	139.7	84.0	28.7	55.6	14.0
0530	53.00	73.0	146.0	89.0	28.7	55.6	18.0
0540	54.00	73.0	146.0	89.0	28.7	55.6	18.0

SIZE CODE	d1	d4	d10	d11	l8	l9	SLOT WIDTH S
0550	55.00	73.0	146.0	89.0	28.7	55.6	18.0
0580	58.00	79.4	165.1	97.0	28.7	55.6	18.0
0600	60.00	79.4	165.1	97.0	28.7	55.6	18.0
0630	63.00	85.7	165.1	101.0	37.8	69.1	18.0
0650	65.00	88.9	177.8	103.0	37.8	69.1	18.0
0680	68.00	92.0	177.8	111.0	37.8	69.1	18.0
0700	70.00	92.0	177.8	111.0	37.8	69.1	18.0
0750	75.00	101.6	190.0	129.0	37.8	69.1	18.0
0800	80.00	108.0	195.0	135.0	37.8	69.1	18.0
0850	85.00	111.1	198.0	139.0	37.8	69.1	22.0
0900	90.00	117.5	205.0	145.0	39.0	69.1	22.0
0950	95.00	120.7	208.0	148.0	39.0	69.1	22.0
1000	100.0	127.0	218.0	154.0	39.0	69.1	22.0

DIMENSIONS FOR HIGHER SIZES AVAILABLE ON REQUEST

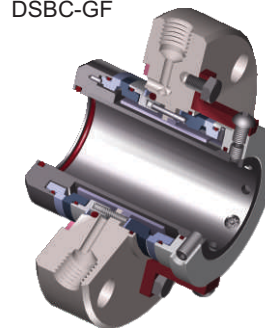
LIMITING PARAMETERS

PARAMETER	VALUE	API PLAN
PRESSURE	UPTO 16 BAR	53
TEMPERATURE	- 40°C TO 280°C DEPENDING UPON ELASTOMER	54
SPEED	26 m/sec	52
FLUSHING PRESSURE	S.BOX PRESS.+1.5 BAR	54
MODE	TANDEM	52
	S.BOX PRESS. x 0.5	54

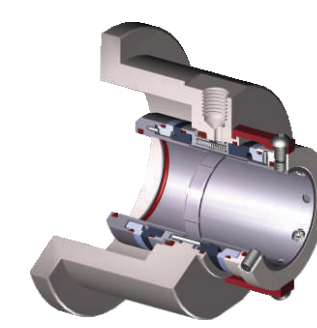
MATERIALS

METAL PARTS	FACE COMBINATIONS	ELASTOMERS												
SS316, SS316L, CD4MCU ALLOY-20 HASTELLOY-C	<table border="1"> <thead> <tr> <th>ROTARY</th> <th colspan="2">STATIONARY</th> </tr> </thead> <tbody> <tr> <td>SiC, TC</td> <td>I.B.</td> <td>O.B.</td> </tr> <tr> <td>SiC</td> <td>CARBON</td> <td>CARBON</td> </tr> <tr> <td>TC</td> <td>SiC, TC</td> <td></td> </tr> </tbody> </table>	ROTARY	STATIONARY		SiC, TC	I.B.	O.B.	SiC	CARBON	CARBON	TC	SiC, TC		VITON, NITRILE, PTFE NEOPRENE, EPR, FFKM AFLAS, STV, SILICON
ROTARY	STATIONARY													
SiC, TC	I.B.	O.B.												
SiC	CARBON	CARBON												
TC	SiC, TC													

DSBC-GF

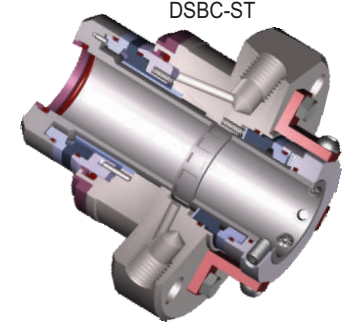


WITH GUIDED FLUSH



FOR MONO PUMPS

DSBC-ST



BOTTOM ENTRY STERILE APPLICATIONS